

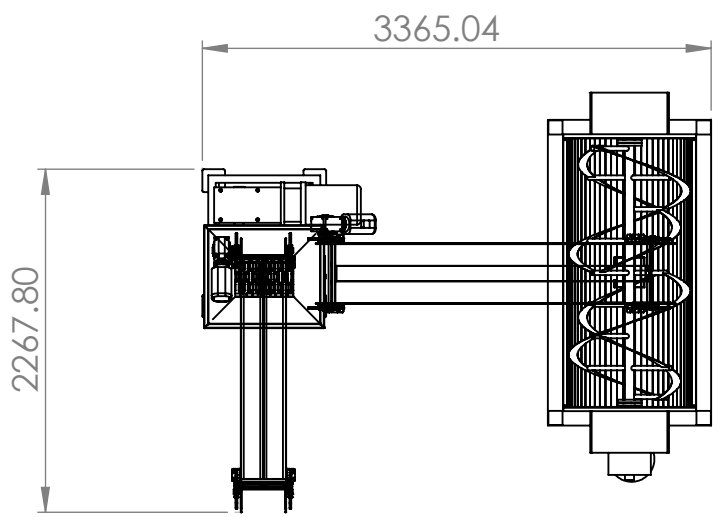
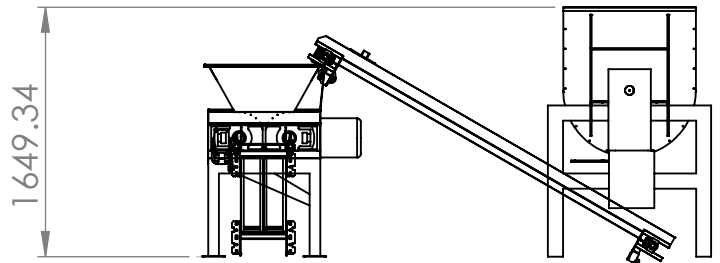
A

B

C

D

1 2 3 4 5 6



UNLESS OTHERWISE SPECIFIED:
DIMENSIONS ARE IN MILLIMETERS

DEBUR AND
BREAK SHARP
EDGES

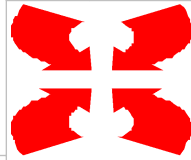
DO NOT SCALE DRAWING

REVISION 1

Flo-Scan

Thickness: mm

	NAME
DRAWN	D. DU TOIT
DESIGNED	W. DU TOIT



Flo-Scan Technologies
P.O Box 212
Villiers
9840
Tel: 079 912 2528

MATERIAL:

DWG NO. **Layout Briquette maker** /A4

1 2 3 4 5 6